

"Good design is good business"

- Thomas J. Watson



EXPERTISE

Every Titan Forklift is designed, built and supported by a team of dedicated and knowledgeable professionals, each with their own area of expertise. They all work together to deliver a forklift that is of superior quality both in design and function; Engineers, Product experts, ergonomists, and operators and mechanics all come together for one purpose – to bring our products out.

EXCELLENCE

At Titan, a commitment to continuous improvement and innovation is a clear indicator of our level of performance and operational excellence. It comes from applying the same patience and diligence to everything we do – from seemingly small tasks to large scale projects and investments, it gives us the shortest path from the factory floor to customers' satisfaction.

COMPONENTS USED IN OUR PRODUCTS



TITAN[®]

— F O R K L I F T S —

6000 - 8000Lbs

TD30RT2 • TD35RT2

ROUGH TERRAIN 2WD



Designed & engineered in Canada with the best components for unsurpassed reliability, by knowledgeable industry Professionals with over 40 years of experience

Titan Forklifts are built for versatility, reliability and profitability. We understand that timely order fulfillment in today's globally competitive marketplace is crucial for success in any warehouse or shipping environment. The versatile and compact, the TD30RT2 (3.0ton/6000 lbs.) and TD35RT2 (3.5ton/8000 lbs.) forklifts with pneumatic tires offer the power, performance and productivity capabilities you need to tackle the rough terrain. For heavy-duty lifting outdoor on uneven terrain, Titan's TD30RT2 & TD35RT2 offer outstanding value.

Titan's quality commitment doesn't end in the design room or on the factory floor. Quality service and maintenance programs are crucial to the long-term performance and ROI of any forklift. All of our forklifts come with a robust 5-Year Warranty so your accounting department can rest easy in the confident knowledge that Titan backs what it sells with one of the most comprehensive warranty programs in the industry.

For more information and pricing on these and other fine products from Titan, please contact your local Titan Forklifts[®] dealer or Account Representative today or call us Tollfree at:

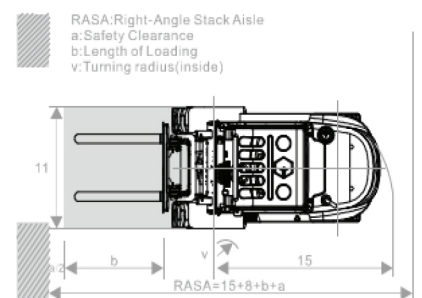
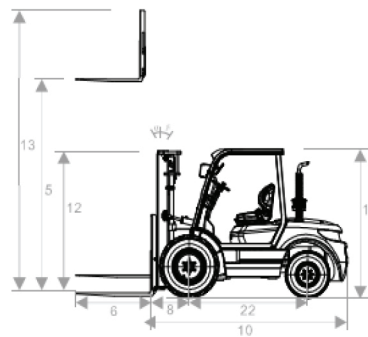
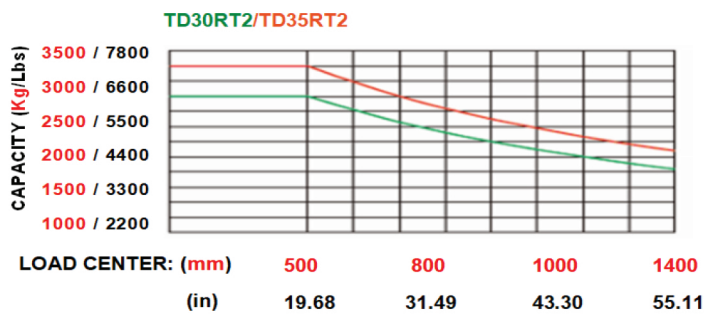
1.844.93TITAN (1.844.938.4826)

or email us at:

info@titanlifttrucks.com

All Titan Products meet and exceed ASME B56-1 and CSA B35 Standards.

General	No.	Model	TD30RT2	TD35RT2		
	2	Power Type	Diesel	Diesel		
	3	Rated Capacity	kg / lbs	3000/6613	3500/7716	
	4	Load Centre	mm / in	600/23	600/23	
Characteristics & Dimensions	5	Lift Height	mm / in	3000/118	3000/118	
	6	Fork Size L x W x T	mm / in	1220 x 125 x 45 48 x 5 x 2	1220 x 125 x 50 48 x 5 x 2	
	7	Mast Tilt Angle F/R	Deg	8/10	8/10	
	8	Front Overhang (Wheel center to fork face)	mm / in	591/23	606/24	
	9	Ground Clearance (bottom of mast)	mm / in	230/9	230/9	
	10	Overall Dimension	Length to face of fork (without fork)	mm / in	3046/119	3116/122
	11		Overall Width	mm / in	1605/63	1605/63
	12		Mast Lowered Height	mm / in	2205/86	2240/88
	13		Mast Extended Height (with backrest)	mm / in	4200/165	4200/165
	14		Overhead Guard Height	mm / in	2150/85	2150/85
	15	Turning Radius (outside)	mm / in	2570/108	2750/108	
	16	Min Insecting Aisle	mm / in	2900/114	2960/114	
Performance	17	Speed	Travel (empty load)	kmh / mph	18/12	18/12
	18		Lifting (full load)	mms / ins	430/16	400/15.7
	19	Max Gradeability	%	20	20	
Chassis	20	Tire	Front		14-17.5-14PR	14-17.5-14PR
	21		Rear		27x10-12-12	27x10-12-12
	22	Wheelbase	mm/in	1835/72	1835/72	
	23	Service Weight	kg / lbs	4800/10582	5150/11353	
Power & Transmission	24	Battery - Voltage/Capacity		V/ah	12/80	12/80
	25	Engine	Model		3H50T	3H50T
	26		Manufacturer		HATZ	HATZ
	27		No. of Cylinder		4	4
	28		Fuel Tank Capacity	Litre / Gal	60	60
	29	Transmission	Type		Hydraulic	Hydraulic
	30		Speed: FWD/RVS		1/1	1/1
	31	Operating pressure for Attachment	Mpa	18	18	



ISO9001
CERTIFIED

ASME
B56.1-2017

SGS
APPROVED

Proud to be your authorized Titan Forklifts Representative

TITAN[®]
— FORKLIFTS —
QUALITY • RELIABILITY • STRENGTH
www.titanliftrucks.com

Titan Forklifts (2016) Ltd.
670 Irwin Street, Chatham, ON. N7M 5J5
Telephone: 1.519.351.9501
Tollfree: 1.844.93TITAN (1.844.938.4826)
Email: info@titanliftrucks.com

CE
CE CERTIFICATION

L I F T I N G T H E F U T U R E