

"Good design is good business"

- Thomas J. Watson



### EXPERTISE

Every Titan Forklift is designed, built and supported by a team of dedicated and knowledgeable professionals, each with their own area of expertise. They all work together to deliver a forklift that is of superior quality both in design and function; Engineers, Product experts, ergonomists, and operators and mechanics all come together for one purpose – to bring our products out.

### EXCELLENCE

At Titan, a commitment to continuous improvement and innovation is a clear indicator of our level of performance and operational excellence. It comes from applying the same patience and diligence to everything we do – from seemingly small tasks to large scale projects and investments, it gives us the shortest path from the factory floor to customers' satisfaction.

### COMPONENTS USED IN OUR PRODUCTS



# TITAN<sup>®</sup>

— F O R K L I F T S —

## 4000 - 5000Lbs

TD20 / TG20 (2.0Ton/4400Lbs)

TD25 / TG25 (2.5Ton/5500Lbs)

## DIESEL & GAS SERIES



*Designed in Canada with the best components for unsurpassed reliability, by knowledgeable industry Professionals with over 40 years of experience*

Titan Forklifts are built for versatility, reliability and profitability. We understand that timely order fulfillment in today's globally competitive marketplace is crucial for success in any warehouse or shipping environment. The versatile Diesel & Dual Fuel (LPG/Gas), TG20/TD20 (2.0ton/4400 lbs.) and TD25/TG25 (2.5ton/5500 lbs.) forklifts with pneumatic tires offer the power, performance and productivity capabilities you need to succeed. For heavy-duty lifting indoors or outdoor on uneven terrain, Titan's TD20, TG20, TD25 & TG25 offer outstanding value.

Titan's quality commitment doesn't end in the design room or on the factory floor. Quality service and maintenance programs are crucial to the long-term performance and ROI of any forklift. All of our forklifts come with a robust 5-Year Warranty so your accounting department can rest easy in the confident knowledge that Titan backs what it sells with one of the most comprehensive warranty programs in the industry.

For more information and pricing on these and other fine products from Titan, please contact your local Titan Forklifts<sup>®</sup> dealer or Account Representative today or call us Tollfree at:

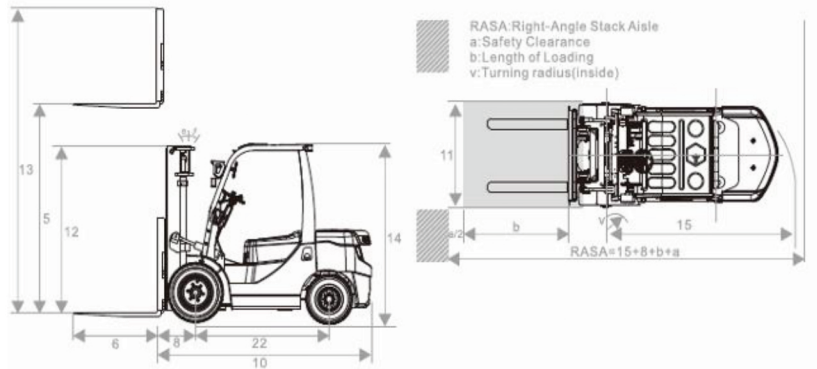
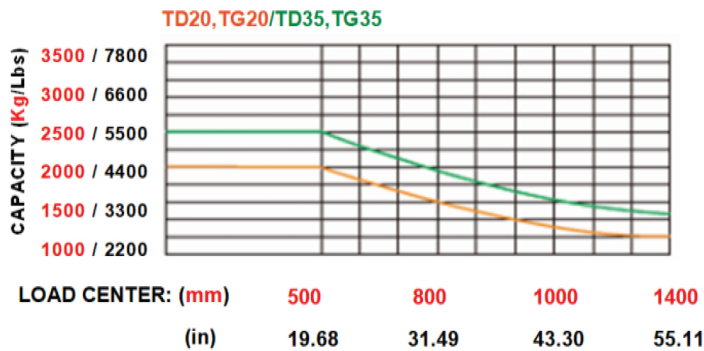
**1.844.93TITAN (1.844.938.4826)**

or email us at:

[info@titanlifttrucks.com](mailto:info@titanlifttrucks.com)

All Titan Products meet and exceed ASME B56-1 and CSA B35 Standards.

General	No.	Model	TD20	TD25	TG20	TG25		
	2	Power Type		Diesel	Diesel	Gas/LPG	Gas/LPG	
3	Rated Capacity	kg / lbs	2000 / 4409	2500 / 5511	2000 / 4409	2500 / 5511		
4	Load Centre	mm / in	500 / 20	500 / 20	500 / 20	500 / 20		
Characteristics & Dimension	5	Lift Height	mm / in	3000 - 4800 118 - 188	3000 - 4800 118 - 188	3000 - 4800 118 - 188	3000 - 4800 118 - 188	
	6	Fork Size L x W x T	mm / in	1070 x 120 x 40 42x 4.7 x 1.5	1070 x 120 x 40 42 x 4.7 x 1.5	1070 x 120 x 40 42. x 4.7 x 1.5	1070 x 120 x 40 42 x 4.7 x 1.5	
	7	Mast Tilt Angle F/R	Deg	6°/12°	6°/12°	6°/12°	6°/12°	
	8	Front Overhang (Wheel center to fork face)	mm / in	470 / 18.5	470 / 18.5	470 / 18.5	470 / 18.5	
	9	Ground Clearance (bottom of mast)	mm / in	120 / 4.7	120 / 4.7	120 / 4.7	120 / 4.7	
	10	Length to face of fork (without fork)	mm / in	2600 / 102	2600 / 102	2600 / 102	2600 / 102	
	11	Overall Dimension	Overall Width	mm / in	1150 / 45	1150 / 45	1150 / 45	1150 / 45
	12		Mast Lowered Height	mm / in	2055 / 80.9	2055 / 80.9	2055 / 80.9	2055 / 80.9
	13		Mast Extended Height (with backrest)	mm / in	4860 / 191	4860 / 191	4860 / 191	4860 / 191
	14		Overhead Guard Height	mm / in	2070 / 81	2070 / 81	2070 / 81	2070 / 81
	15	Turning Radius (outside)	mm / in	2310 / 90	2310 / 90	2310 / 90	2310 / 90	
	16	Min Insecting Aisle	mm / in	2380 / 93	2380 / 93	2380 / 93	2380 / 93	
Performance	17	Speed	Travel (empty load)	kmh / mph	19 / 12	19 / 12	19 / 12	
	18		Lifting (full load)	mm/s / in/s	530 / 21	530 / 21	530 / 21	
	19	Max Gradeability	%	20	20	20	20	
Chassis	20	Tire	Front		7.00-12-12 PR	7.00-12-12 PR	7.00-12-12 PR	
	21		Rear		6.00-9-10 PR	6.00-9-10 PR	6.00-9-10 PR	
	22	Wheelbase	mm/in	1600 / 63	1600 / 63	1600 / 63	1600 / 63	
23	Service Weight	kg / lbs	3560 / 7848	3700 / 8757	3560 / 7848	3700 / 8757		
Power & Transmission	24	Battery Voltage/Capacity	V/ah	12/800	12/800	12/800	12/800	
	25	Engine	Displacement		3.3L	3.3L	2.5L	
	26		Manufacturer		mitsubishi	mitsubishi	KUBOTA	
	27		No. of Cylinder		4	4	4	
	28		Fuel Tank Capacity	Litre / Gal	60 / 16	60 / 16	60 / 16	
	29	Transmission	Type		Hydraulic	Hydraulic	Hydraulic	
	30		Speed: FWD/RVS		1 / 1	1 / 1	1 / 1	
	31		Operating pressure for Attachment	Mpa	17.5	17.5	17.5	



**ISO9001**  
CERTIFIED

**ASME**  
B56.1-2017

**SGS**  
APPROVED

Proud to be your authorized Titan Forklifts Representative

**TITAN**<sup>®</sup>  
— FORKLIFTS —  
QUALITY • RELIABILITY • STRENGTH  
www.titanliftrucks.com

**Titan Forklifts (2016) Ltd.**  
670 Irwin Street, Chatham, ON. N7M 5J5  
**Telephone:** 1.519.351.9501  
**Tollfree:** 1.844.93TITAN (1.844.938.4826)  
**Email:** info@titanliftrucks.com

**CE**  
CE CERTIFICATION

LIFTING THE FUTURE