

"Good design is good business"

- Thomas J. Watson



EXPERTISE

Every Titan Forklift is designed, built and supported by a team of dedicated and knowledgeable professionals, each with their own area of expertise. They all work together to deliver a forklift that is of superior quality both in design and function; Engineers, Product experts, ergonomists, and operators and mechanics all come together for one purpose – to bring our products out.

EXCELLENCE

At Titan, a commitment to continuous improvement and innovation is a clear indicator of our level of performance and operational excellence. It comes from applying the same patience and diligence to everything we do – from seemingly small tasks to large scale projects and investments, it gives us the shortest path from the factory floor to customers' satisfaction.

COMPONENTS USED IN OUR PRODUCTS



TITAN® FORKLIFTS

6000 - 8000Lbs

TD30 / TG30 (3.0Ton/6000Lbs)

TD35 / TG35 (3.5Ton/8000Lbs)

DIESEL & GAS SERIES



Designed in Canada with the best components for unsurpassed reliability, by knowledgeable industry Professionals with over 40 years of experience

Titan Forklifts are built for versatility, reliability and profitability. We understand that timely order fulfillment in today's globally competitive marketplace is crucial for success in any warehouse or shipping environment. Versatile dual fuel Diesel & LPG/Gas, the TG30/TD30 (3.0ton/6000 lbs.) and TD35/TG35 (3.5ton/5500 lbs.) forklifts with pneumatic tires offer the power, performance and productivity capabilities you need to succeed. For heavy-duty lifting indoors or outdoor on uneven terrain, Titan's TD30, TG30, TD35 & TG35 offer outstanding value.

Titan's quality commitment doesn't end in the design room or on the factory floor. Quality service and maintenance programs are crucial to the long-term performance and ROI of any forklift. All of our forklifts come with a robust 5-Year Warranty so your accounting department can rest easy in the confident knowledge that Titan backs what it sells with one of the most comprehensive warranty programs in the industry.

For more information and pricing on these and other fine products from Titan, please contact your local Titan Forklifts® dealer or Account Representative today or call us Tollfree at:

1.844.93TITAN (1.844.938.4826)

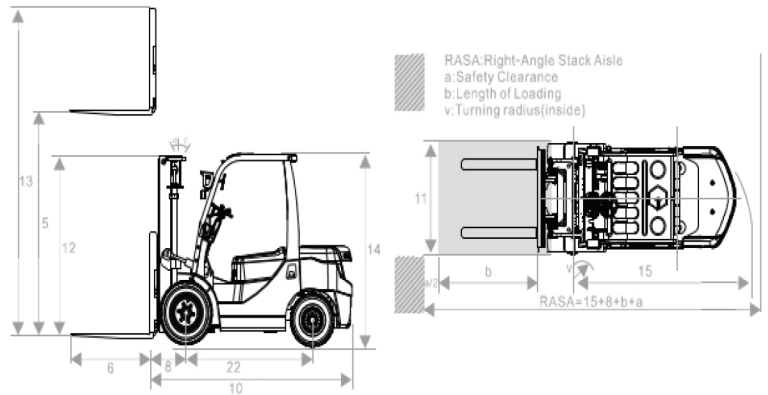
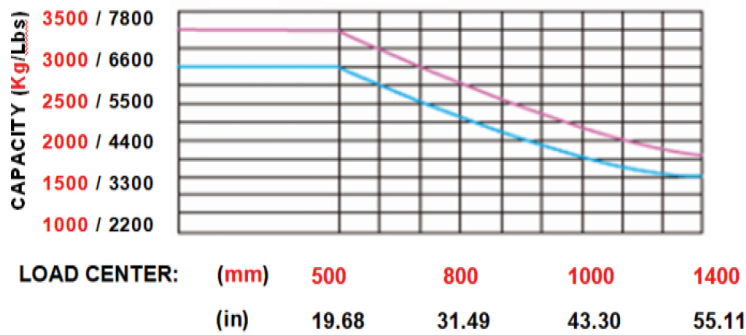
or email us at:

info@titanlifttrucks.com

All Titan Products meet and exceed ASME B56-1 and CSA B35 Standards.

General	No.	Model	TD30	TD35	TG30	TG35		
	2	Power Type		Diesel	Gas/LPG	Gas/LPG	Gas/LPG	
3	Rated Capacity	kg / lbs	3000 / 6613	3500 / 7716	3000 / 6613	3500 / 7716		
4	Load Centre	mm / in	500 / 20	500 / 20	500 / 20	500 / 20		
Characteristics & Dimensions	5	Lift Height	mm / in	4800 / 189	4800 / 189	3000-4800 1189 - 189	3000-4800 119 - 189	
	6	Fork Size	L x W x T	mm / in	1070 x 125 x 45 42 x 5 x 1.7	1070 x 125 x 50 42 x 5 x 2	1070 x 125 x 40 42 x 5x 1.7	1070 x 125 x 50 42 x 5x 2
	7	Mast Tilt Angle	F/R	Deg	6°/12°	6°/12°	6°/12°	6°/12°
	8	Front Overhang (Wheel center to fork face)		mm / in	475 / 18	480 / 18	475 / 18	480 / 18
	9	Ground Clearance (bottom of mast)		mm / in	135 / 5.3	135 / 5.3	135 / 5.3	135 / 5.3
	10	Overall Dimension	Length to face of fork (without fork)	mm / in	2730 / 107	2770 / 109	2730 / 107	2770 / 109
	11		Overall Width	mm / in	1225 / 48	1225 / 48	1225 / 48	1225 / 48
	12		Mast Lowered Height	mm / in	2045/80	2045/80	2115 / 83	2175 / 85
	13		Mast Extended Height (with backrest)	mm / in	4150/ 163	4150/ 163	4860 / 191	4860 / 191
	14		Overhead Guard Height	mm / in	2090 / 82	2090 / 82	2090 / 82	2090 / 82
	15	Turning Radius (outside0)		mm / in	2440 / 96	2480 / 97	2440 / 96	2480 / 97
16	Min Insecting Aisle		mm / in	2490 / 98	2530 / 99	2490 / 98	2530 / 99	
Performance	17	Speed	Travel (empty load)	kmh / mph	20 / 12	20 / 12	19 / 11.8	19 / 11.8
	18		Lifting (full load)	mm/s / in/s	510/ 20	440 / 17	510 / 20	440 / 17
	19	Max Gradeability	%	20	20	20	20	
Chassis	20	Tire	Front		28x9-15-12 PR	28x9-15-12 PR	28x9-15-12 PR	28x9-15-12 PR
	21		Rear		6.50-10-10 PR	6.50-10-10 PR	6.50-10-10 PR	6.50-10-10 PR
	22	Wheelbase	mm/in	1700 / 67	1700 / 67	1700 / 67	1700 / 67	
	23	Service Weight	kg / lbs	4300 / 9480	4500 / 9921	4300 / 9480	4500 / 9921	
Power & Transmission	24	Battery - Voltage/Capacity	V/ah	12/800	12/800	12/800	12/800	
	25	Engine	Displacement		2.4L	2.4L	3.0/2.5L	3.0/2.5L
	26		Manufacturer		MITSUBISHI	MITSUBISHI	PSI/KUBOTA	PSI/KUBOTA
	27		No. of Cylinder		4	4	4	4
	28		Fuel Tank Capacity	Litre / Gal	60 / 15.8	60 / 15.8	60 / 15.8	60 / 15.8
	29	Transmission	Type		Hydraulic	Hydraulic	Hydraulic	Hydraulic
	30		Speed: FWD/RVS		1 / 1	1 / 1	1 / 1	1 / 1
	31		Operating pressure for Attachment	Mpa	17.5	17.5	17.5	17.5

TD30, TG30/TD35, TG35



ISO9001
CERTIFIED

ASME
B56.1-2017

SGS
APPROVED

Proud to be your authorized Titan Forklifts Representative



Titan Forklifts (2016) Ltd.
670 Irwin Street, Chatham, ON. N7M 5J5
Telephone: 1.519.351.9501
Tollfree: 1.844.93TITAN (1.844.938.4826)
Email: info@titanliftrucks.com



LIFTING THE FUTURE