

"Good design is good business"

- Thomas J. Watson



EXPERTISE

Every Titan Forklift is designed, built and supported by a team of dedicated and knowledgeable professionals, each with their own area of expertise. They all work together to deliver a forklift that is of superior quality both in design and function; Engineers, Product experts, ergonomists, and operators and mechanics all come together for one purpose – to bring our products out.

EXCELLENCE

At Titan, a commitment to continuous improvement and innovation is a clear indicator of our level of performance and operational excellence. It comes from applying the same patience and diligence to everything we do – from seemingly small tasks to large scale projects and investments, it gives us the shortest path from the factory floor to customers' satisfaction.

COMPONENTS USED IN OUR PRODUCTS



TITAN[®]

— F O R K L I F T S —

3500 - 4400Lbs



- TE16 (1.6Ton/3500Lbs)
- TE18 (1.8Ton/4000Lbs)
- TE20 (2.0Ton/4400Lbs)

3 WHEEL ELECTRIC SERIES



Designed in Canada with the best components for unsurpassed reliability, by knowledgeable industry Professionals with over 40 years of experience

Titan Forklifts are built for versatility, reliability and profitability. We understand that timely order fulfillment in today's globally competitive marketplace is crucial for success in any warehouse or shipping environment. The Versatile 3 wheel Electric TE16 (1.6ton/3500 lbs.), TE18 (1.8ton/4000 lbs.) and TE20 (2.0ton/4400 lbs.) forklifts with standard solid tires and optional solid non-marking tires offer the power, performance and productivity capabilities you need to succeed. For maneuverability in tight spaces indoors, Titan's TE16, TE18 & TE20 offer outstanding value.

Titan's quality commitment doesn't end in the design room or on the factory floor. Quality service and maintenance programs are crucial to the long-term performance and ROI of any forklift. All of our forklifts come with a robust 5-Year Warranty so your accounting department can rest easy in the confident knowledge that Titan backs what it sells with one of the most comprehensive warranty programs in the industry.

For more information and pricing on these and other fine products from Titan, please contact your local Titan Forklifts[®] dealer or Account Representative today or call us Tollfree at:

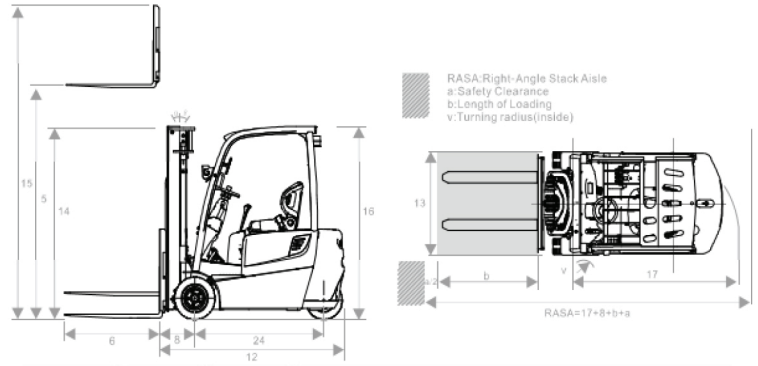
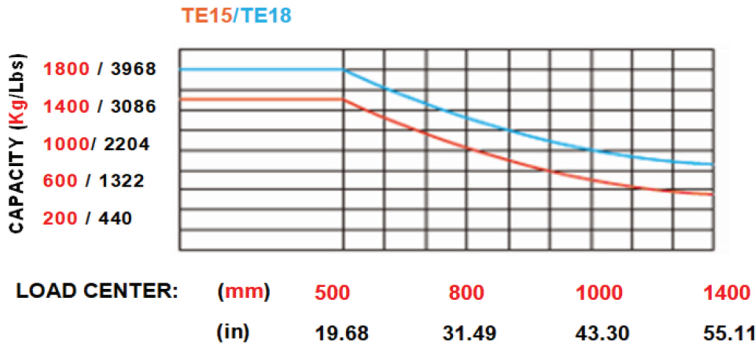
1.844.93TITAN (1.844.938.4826)

or email us at:

info@titanlifttrucks.com

All Titan Products meet and exceed ASME B56-1 and CSA B35 Standards.

General	No.	Model	TE16W3	TE18W3	TE20W3		
	2	Power Type	Electric	Electric	Electric		
	3	Rated Capacity	kg / lbs	1600 / 3527	1800 / 3968	2000 / 4409	
	4	Load Centre	mm / in	500 / 20	500 / 20	500 / 20	
Characteristics & Dimension	5	Lift Height	mm / in	3000-4800 118 -189	3000-4800 118 -190	3000-4800 118 -191	
	6	Fork Size L x W x H	mm / in	920 x 120 x 35 36 x 5 x 2	920 x 120 x 35 36 x 5 x 2	1070 x 120 x 40 42 x 5 x 2	
	7	Mast Tilt Angle F/R	Deg	5°/7°	5°/7°	5°/7°	
	8	Front Overhang (Wheel center to fork face)	mm / in	410 / 16.14	410 / 16.14	410 / 16.14	
	9	Thread F/R	mm / in	930 - 208 36.6 - 8	930 - 208 36 - 8	930 - 208 36 - 8	
	10	Ground Clearance (bottom of mast)	mm / in	90 / 3.5	90 / 3.5	90 / 3.5	
	11	Fork Spread Min. / Max	mm / in	200 - 950 7.8 - 37	200 - 950 7.8 - 37	200 - 950 7.8 - 37	
	12	Overall Dimension	Length to face of fork (without fork)	mm / in	2090 / 82	2091 / 82	2092 / 82
	13		Overall Width	mm / in	1100 / 43	1100 / 43	1100 / 43
	14		Mast Lowered Height	mm / in	2030 / 80	2030 / 80	2030 / 80
	15		Mast Extended Height (with backrest)	mm / in	4010 / 157	4010 / 157	4010 / 157
	16		Overhead Guard Height	mm / in	2055 / 81	2055 / 81	2055 / 81
	17	Turning Radius (outside0	mm / in	1690 / 66.5	1690 / 66.5	1690 / 66.5	
	18	Min Insecting Aisle	mm / in	2300 / 90	2300 / 90	2300 / 90	
Performance	19	Speed	Travel (empty load)	km/h / mlg/h	14 / 9	14 / 9	
	20		Lifting (full load)	mm/s / in/s	300 / 12	300 / 12	
	21	Max Gradeability	%	15	15	15	
Chassis	22	Tire	Front		18 x 7-8	18 x 7-8	
	23		Rear		16 x 7-8	16 x 7-8	
	24	Wheelbase	mm/in	1460 / 57	1460 / 57	1460 / 57	
	25	Service Weight	kg / lbs	3000 / 6613	3200 / 7054	3400 / 7495	
Power & Transmission	26	Motor	Drive Motor	kw	4.5 x 2	4.5 x 2	
	27		Lift Motor	kw	8.6	8.6	
	28	Battery	V/ah	48 / 490	48 / 490	48 / 560	
	29	Controller	Manufacturer	CURTIS	CURTIS	CURTIS	
	30		Type	L	AC	AC	
	31		Operating pressure for Attachment	Mpa	17.5	17.5	



ISO9001
CERTIFIED

ASME
B56.1-2017

SGS
APPROVED

Proud to be your authorized Titan Forklifts Representative

TITAN[®]
- FORKLIFTS -
QUALITY • RELIABILITY • STRENGTH
www.titanliftrucks.com

Titan Forklifts (2016) Ltd.
670 Irwin Street, Chatham, ON. N7M 5J5
Telephone: 1.519.351.9501
Tollfree: 1.844.93TITAN (1.844.938.4826)
Email: info@titanliftrucks.com

CE
CE CERTIFICATION

L I F T I N G T H E F U T U R E