

"Good design is good business"

- Thomas J. Watson



### EXPERTISE

Every Titan Forklift is designed, built and supported by a team of dedicated and knowledgeable professionals, each with their own area of expertise. They all work together to deliver a forklift that is of superior quality both in design and function; Engineers, Product experts, ergonomists, and operators and mechanics all come together for one purpose – to bring our products out.

### EXCELLENCE

At Titan, a commitment to continuous improvement and innovation is a clear indicator of our level of performance and operational excellence. It comes from applying the same patience and diligence to everything we do – from seemingly small tasks to large scale projects and investments, it gives us the shortest path from the factory floor to customers' satisfaction.

### COMPONENTS USED IN OUR PRODUCTS



# TITAN<sup>®</sup>

— F O R K L I F T S —

## 4000 - 5500Lbs

TE20 (2.0Ton/4400Lbs)

TE25 (2.5Ton/5500Lbs)



## ELECTRIC SERIES

*Designed in Canada with the best components for unsurpassed reliability, by knowledgeable industry Professionals with over 40 years of experience*

Titan Forklifts are built for versatility, reliability and profitability. We understand that timely order fulfillment in today's globally competitive marketplace is crucial for success in any warehouse or shipping environment. The Versatile Electric TE20 (2.0ton/4400 lbs.) and TE25 (2.5ton/5500 lbs.) forklifts with standard pneumatic tire and optional solid or non-marking tire offer the power, performance and productivity capabilities you need to succeed. For heavy-duty lifting indoors or outdoor on uneven terrain, Titan's TE20 & TE25 offer outstanding value.

Titan's quality commitment doesn't end in the design room or on the factory floor. Quality service and maintenance programs are crucial to the long-term performance and ROI of any forklift. All of our forklifts come with a robust 5-Year Warranty so your accounting department can rest easy in the confident knowledge that Titan backs what it sells with one of the most comprehensive warranty programs in the industry.

For more information and pricing on these and other fine products from Titan, please contact your local Titan Forklifts<sup>®</sup> dealer or Account Representative today or call us Tollfree at:

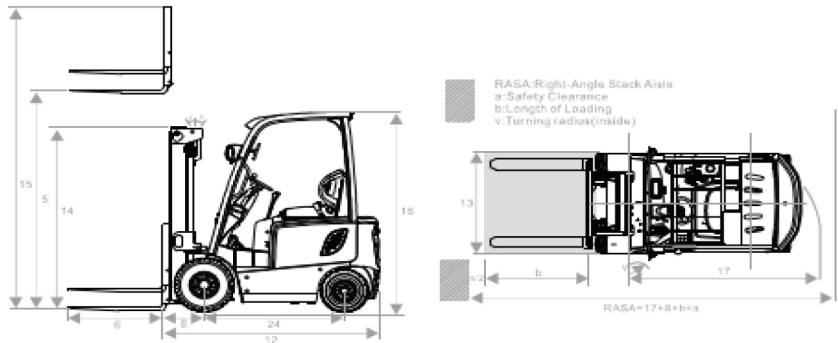
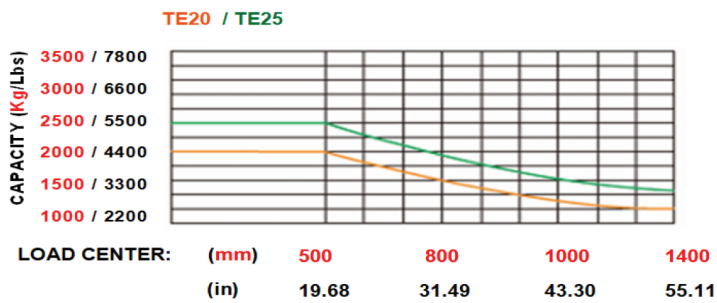
**1.844.93TITAN (1.844.938.4826)**

or email us at:

[info@titanlifttrucks.com](mailto:info@titanlifttrucks.com)

All Titan Products meet and exceed ASME B56-1 and CSA B35 Standards.

| General                     | No.                   | Model                                      | TE20                                  | TE25                          |                               |             |
|-----------------------------|-----------------------|--|---------------------------------------|-------------------------------|-------------------------------|-------------|
|                             |                       | 2  | Power Type                            | Electric                      | Electric                      |             |
|                             | 3                     | Rated Capacity                             | kg / lbs                              | 2000 / 4400                   | 2500 / 5511                   |             |
|                             | 4                     | Load Centre                                | mm / in                               | 500 / 20                      | 500 / 20                      |             |
| Characteristics & Dimension | 5                     | Lift Height                                | mm / in                               | 3000 - 4800<br>119 - 189      | 3000 - 4800<br>119 - 189      |             |
|                             | 6                     | Fork Size L x W x T                        | mm / in                               | 1070 x 120 x 40<br>42 x 5 x 2 | 1070 x 120 x 40<br>42 x 5 x 2 |             |
|                             | 7                     | Mast Tilt Angle F/R                        | Deg                                   | 6°/12°                        | 6°/12°                        |             |
|                             | 8                     | Front Overhang (Wheel center to fork face) | mm / in                               | 465 / 18                      | 465 / 18                      |             |
|                             | 9                     | Tread F/R                                  | mm / in                               | 960 - 950<br>3779 - 3740      | 960 - 950<br>3779 - 3740      |             |
|                             | 10                    | Ground Clearance (bottom of mast)          | mm / in                               | 110 / 4.3                     | 110 / 4.3                     |             |
|                             | 11                    | Fork Spread Min./ Max                      | mm / in                               | 240 - 1020<br>9.44 - 4015     | 240 - 1020<br>9.44 - 4015     |             |
|                             | 12                    | Overall Dimensions                         | Length to face of fork (without fork) | mm / in                       | 2400 / 94.5                   | 2400 / 94.5 |
|                             | 13                    |  | Overall Width                         | mm / in                       | 1160 / 46                     | 1160 / 46   |
|                             | 14                    |  | Mast Lowered Height                   | mm / in                       | 2070 / 81.5                   | 2070 / 81.5 |
|                             | 15                    |  | Mast Extended Height (with backrest)  | mm / in                       | 4020 / 158                    | 4020 / 158  |
| 16                          | Overhead Guard Height |  | mm / in                               | 2240 / 88                     | 2240 / 88                     |             |
| Performance                 | 17                    | Turning Radius (outside)                   | mm / in                               | 2075 / 82                     | 2075 / 82                     |             |
|                             | 18                    | Min Insecting Aisle                        | mm / in                               | 2250 / 89                     | 2250 / 89                     |             |
|                             | 19                    | Speed                                      | Travel (empty load)                   | kmh / mph                     | 15 / 9                        | 15 / 9      |
| 20                          | Lifting (full load)   |  | mm/s / in/s                           | 300 - 12                      | 300 - 12                      |             |
| Chassis                     | 21                    | Max Gradeability                           | %                                     | 15                            | 15                            |             |
|                             | 22                    | Tire                                       | Front                                 | 7.00-12-12 PR                 | 7.00-12-12 PR                 |             |
|                             | 23                    |  | Rear                                  | 18x7-8-14 PR                  | 18x7-8-14 PR                  |             |
| Power & Transmission        | 24                    | Wheelbase                                  | mm / in                               | 1510 / 59                     | 1510 / 59                     |             |
|                             | 25                    | Service Weight                             | kg / lbs                              | 4170 / 9193                   | 4170 / 9193                   |             |
|                             | 26                    | Motor                                      | ZF Drive Motor (Germany)              | kw                            | 11                            | 11          |
|                             | 27                    |  | Lift Motor                            | kw                            | 8.6                           | 4           |
|                             | 28                    |  | Voltage/Capacity                      | V/ah                          | 48 / 560                      | 48 / 630    |
|                             | 29                    | Control                                    | Manufacturer (USA)                    | V/ah                          | CURTIS                        | CURTIS      |
|                             | 30                    |  | Type                                  | L                             | AC                            | AC          |
|                             | 31                    |  | Operating pressure for Attachment     | Mpa                           | 17.5                          | 17.5        |



Proud to be your authorized Titan Forklifts Representative

**ISO9001**      **ASME**      **SGS**  
CERTIFIED      B56.1-2017      APPROVED

**TITAN**<sup>®</sup>  
— FORKLIFTS —  
QUALITY • RELIABILITY • STRENGTH  
www.titanliftrucks.com

**Titan Forklifts (2016) Ltd.**  
670 Irwin Street, Chatham, ON. N7M 5J5  
**Telephone:** 1.519.351.9501  
**Tollfree:** 1.844.93TITAN (1.844.938.4826)  
**Email:** info@titanliftrucks.com