

"Good design is good business"

- Thomas J. Watson



### EXPERTISE

Every Titan Forklift is designed, built and supported by a team of dedicated and knowledgeable professionals, each with their own area of expertise. They all work together to deliver a forklift that is of superior quality both in design and function; Engineers, Product experts, ergonomists, and operators and mechanics all come together for one purpose – to bring our products out.

### EXCELLENCE

At Titan, a commitment to continuous improvement and innovation is a clear indicator of our level of performance and operational excellence. It comes from applying the same patience and diligence to everything we do – from seemingly small tasks to large scale projects and investments, it gives us the shortest path from the factory floor to customers' satisfaction.

### COMPONENTS USED IN OUR PRODUCTS



# TITAN<sup>®</sup>

— F O R K L I F T S —

## 4000 - 5000Lbs

TG20C (2.0Ton/4400Lbs)

TG25C (2.5Ton/5500Lbs)



## LPG CUSHION SERIES

*Designed in Canada with the best components for unsurpassed reliability, by knowledgeable industry Professionals with over 40 years of experience*

Titan Forklifts are built for versatility, reliability and profitability. We understand that timely order fulfillment in today's globally competitive marketplace is crucial for success in any warehouse or shipping environment. The versatile and compact LPG TG20C (2.0ton/4400 lbs.) and TG25C (2.5ton/5500 lbs.) forklifts with cushion tires offer the power, performance and productivity capabilities you need to succeed. For heavy-duty lifting and maneuverability, Titan's TG20C and TG25C offer outstanding value.

Titan's quality commitment doesn't end in the design room or on the factory floor. Quality service and maintenance programs are crucial to the long-term performance and ROI of any forklift. All of our forklifts come with a robust 5-Year Warranty so your accounting department can rest easy in the confident knowledge that Titan backs what it sells with one of the most comprehensive warranty programs in the industry.

For more information and pricing on these and other fine products from Titan, please contact your local Titan Forklifts<sup>®</sup> dealer or Account Representative today or call us Tollfree at:

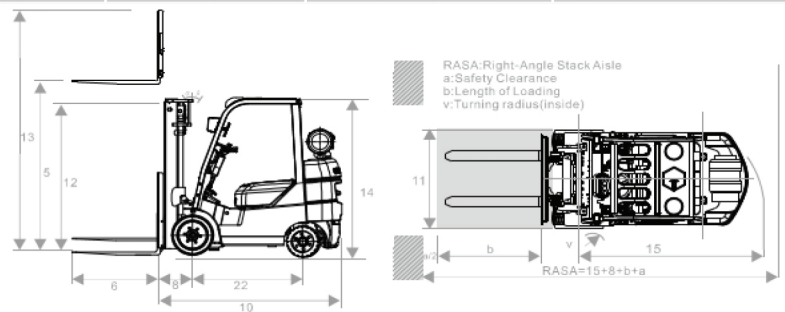
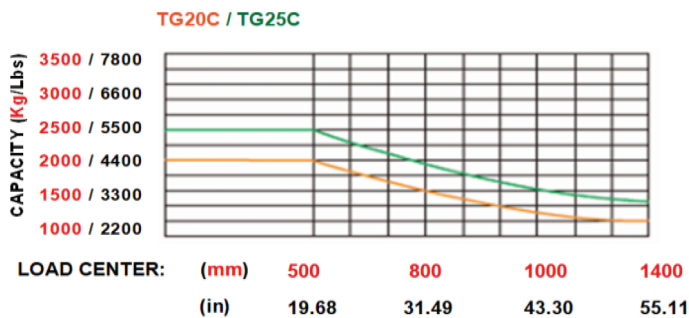
**1.844.93TITAN (1.844.938.4826)**

or email us at:

[info@titanlifttrucks.com](mailto:info@titanlifttrucks.com)

All Titan Products meet and exceed ASME B56-1 and CSA B35 Standards.

General	No.	Model	KG20C	KG25C
	2	Power Type	Gas/LPG	Gas/LPG
	3	Rated Capacity	kg / lbs	2000 / 4511
	4	Load Centre	mm / in	500 / 20
Characteristics & Dimension	5	Lift Height	mm / in	3000 - 4800 119 - 189
	6	Fork Size	mm / in	1070 x 120 x 40 42 x 5 x 2
	7	Mast Tilt An F/R	Deg	6°/12°
	8	Front Overhang (Wheel center to fork face)	mm / in	470 / 18.5
	9	Ground Clearance (bottom of mast)	mm / in	120 / 4.7
	10	Length to face of fork (without fork)	mm / in	2362 / 92.99
	11	Overall Dimension	mm / in	1080 / 43
	12	Mast Lowered Height	mm / in	2082 / 82
	13	Mast Extended Height (with backrest)	mm / in	4860 / 191
	14	Overhead Guard Height	mm / in	2070 / 81.5
	15	Turning Radius (outside)	mm / in	2310 / 91
	16	Min Insecting Aisle	mm / in	2380 / 93.7
Performance	17	Speed	kmh / kmh	19 / 12
	18	Lifting (full load)	mm/s / in/s	550 / 22
	19	Max Gradeability	%	20
Chassis	20	Tire	Front	21X8X15"
	21	Tire	Rear	16.25X6X11.25"
	22	Wheelbase	mm/in	1600 / 63
	23	Service Weight	kg / lbs	3700 / 8157
Power & Transmission	24	Battery - Voltage/Capacity	V/ah	12/800
	25	Displacement		2.5L
	26	Engine	Manufacturer	Kubota
	27	Engine	No. of Cylinder	4
	28	Fuel Tank Capacity	Litre / Gal	60 / 16
	29	Transmission	Type	Hydraulic
	30	Transmission	FWD/RVS	1 / 1
	31	Operating pressure for Attachment	Mpa	17.5



Proud to be your authorized Titan Forklifts Representative

**ISO9001**  
CERTIFIED

**ASME**  
B56.1-2017

**SGS**  
APPROVED

**TITAN**<sup>®</sup>  
- FORKLIFTS -  
QUALITY • RELIABILITY • STRENGTH  
www.titanliftrucks.com

**Titan Forklifts (2016) Ltd.**  
670 Irwin Street, Chatham, ON. N7M 5J5  
**Telephone:** 1.519.351.9501  
**Tollfree:** 1.844.93TITAN (1.844.938.4826)  
**Email:** info@titanliftrucks.com

**CE**  
CE CERTIFICATION

LIFTING THE FUTURE